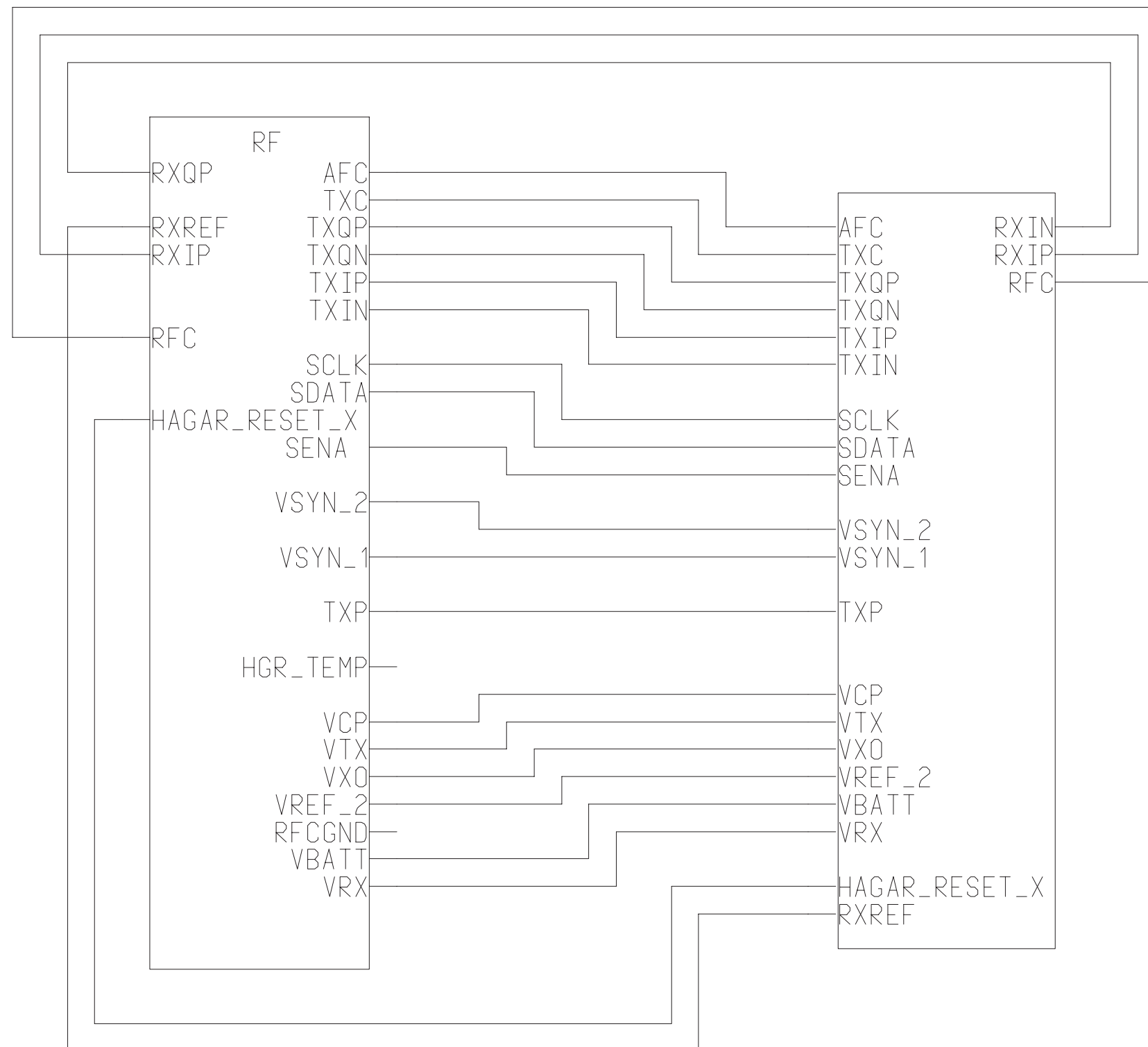


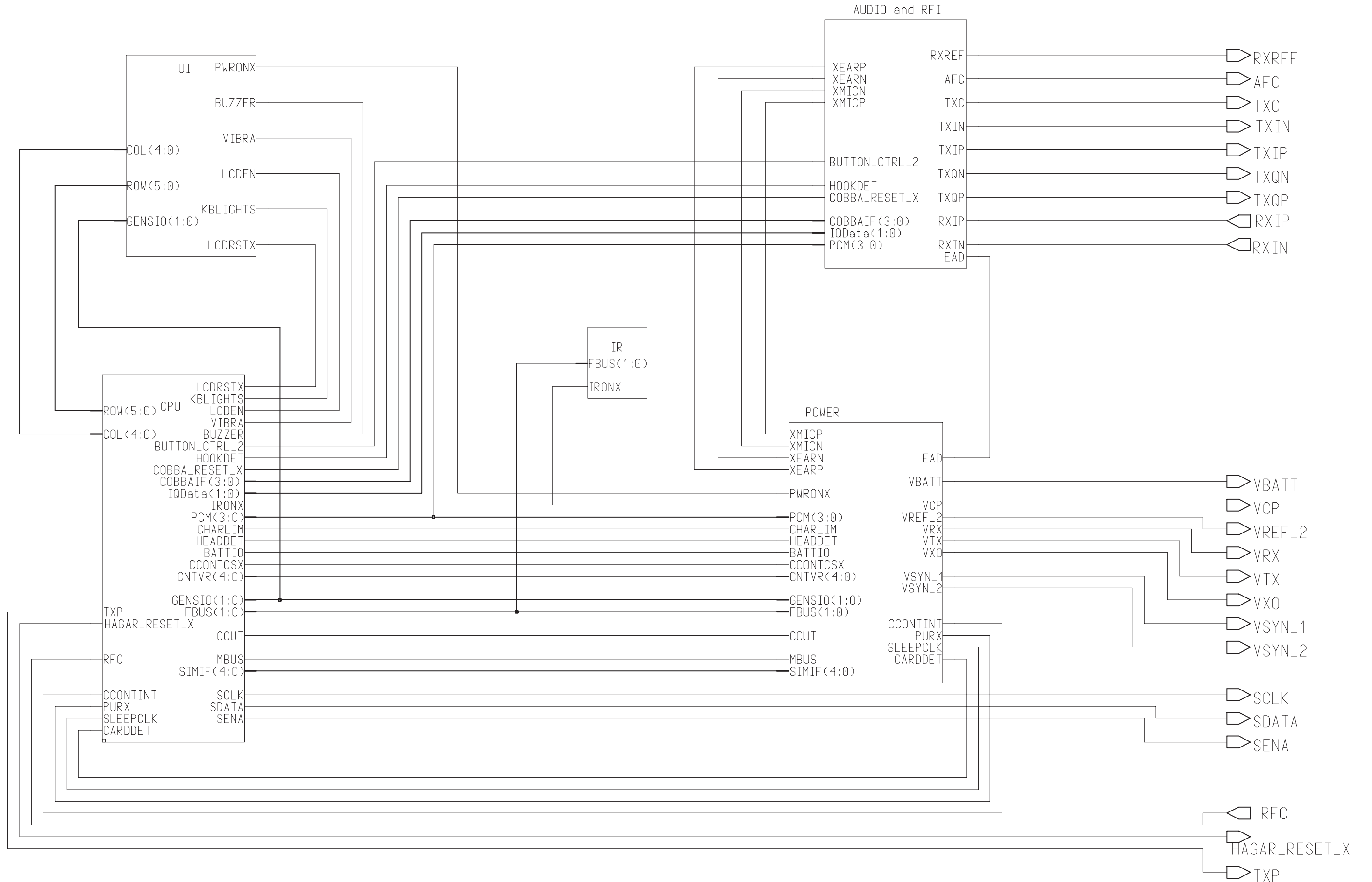
Connection between RF and Baseband modules (Version 1410 Edit 4) for layout version 03

RF

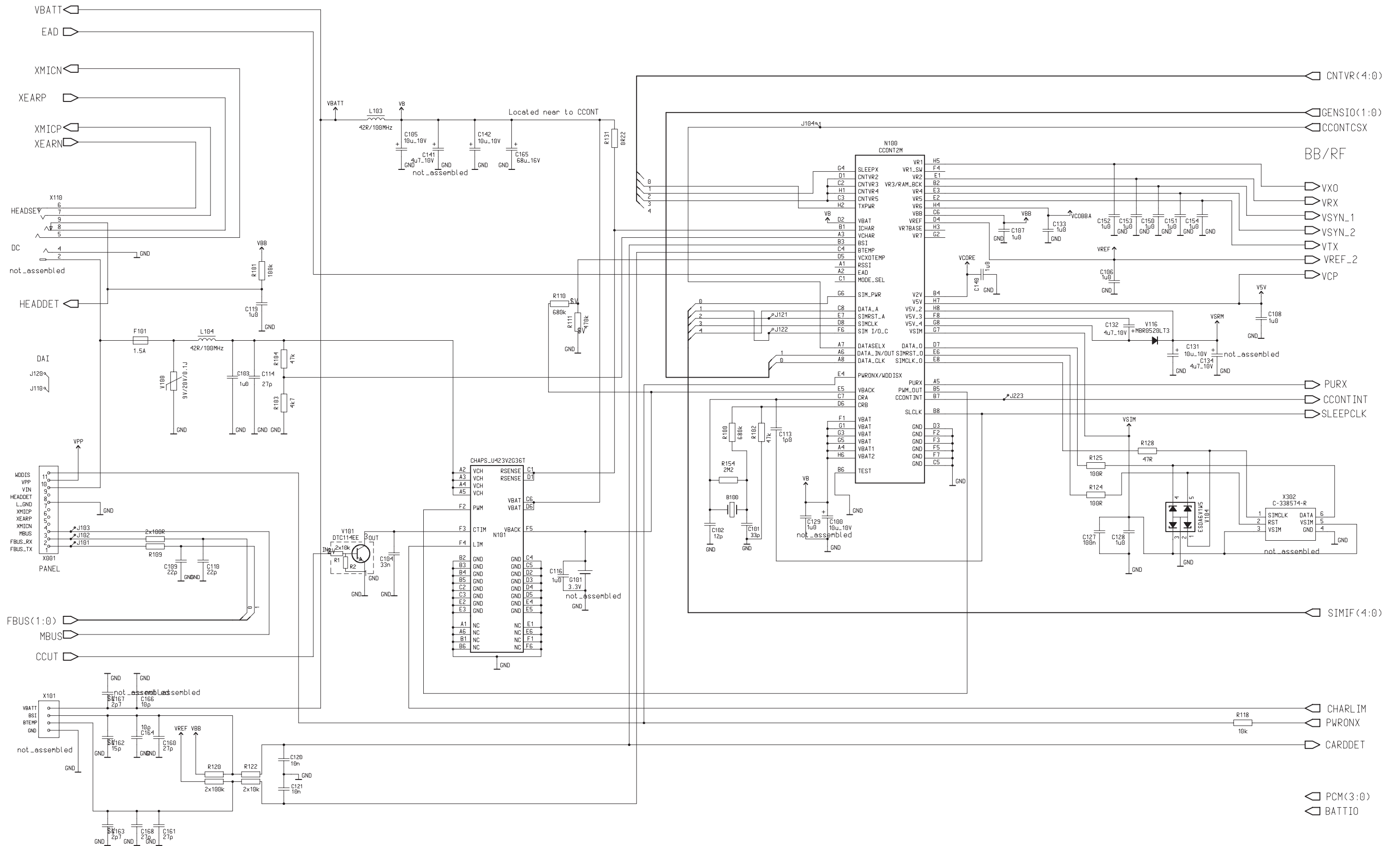
BASEBAND



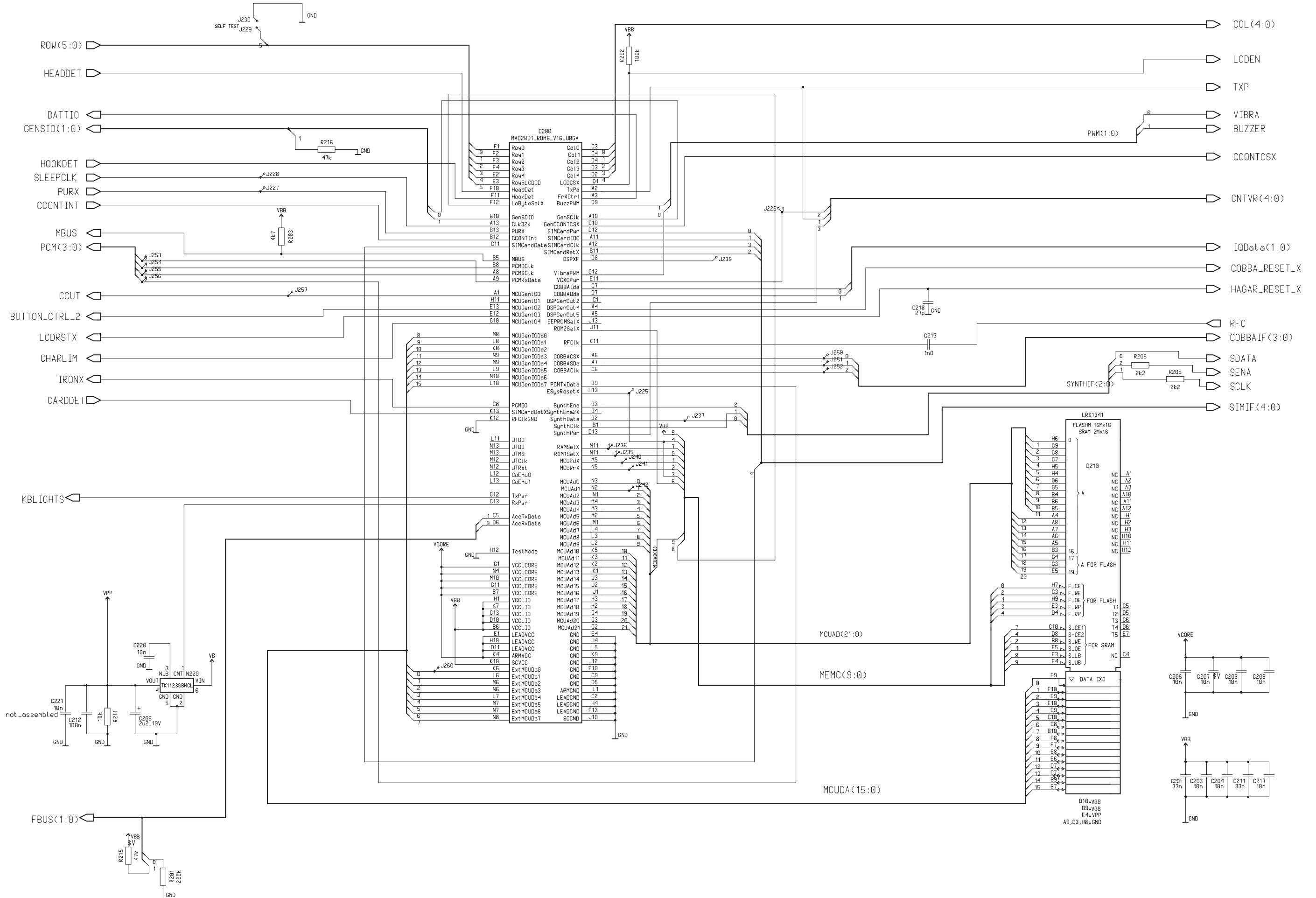
Baseband Block Interconnections (Version 1410 Edit 4) for layout version 03



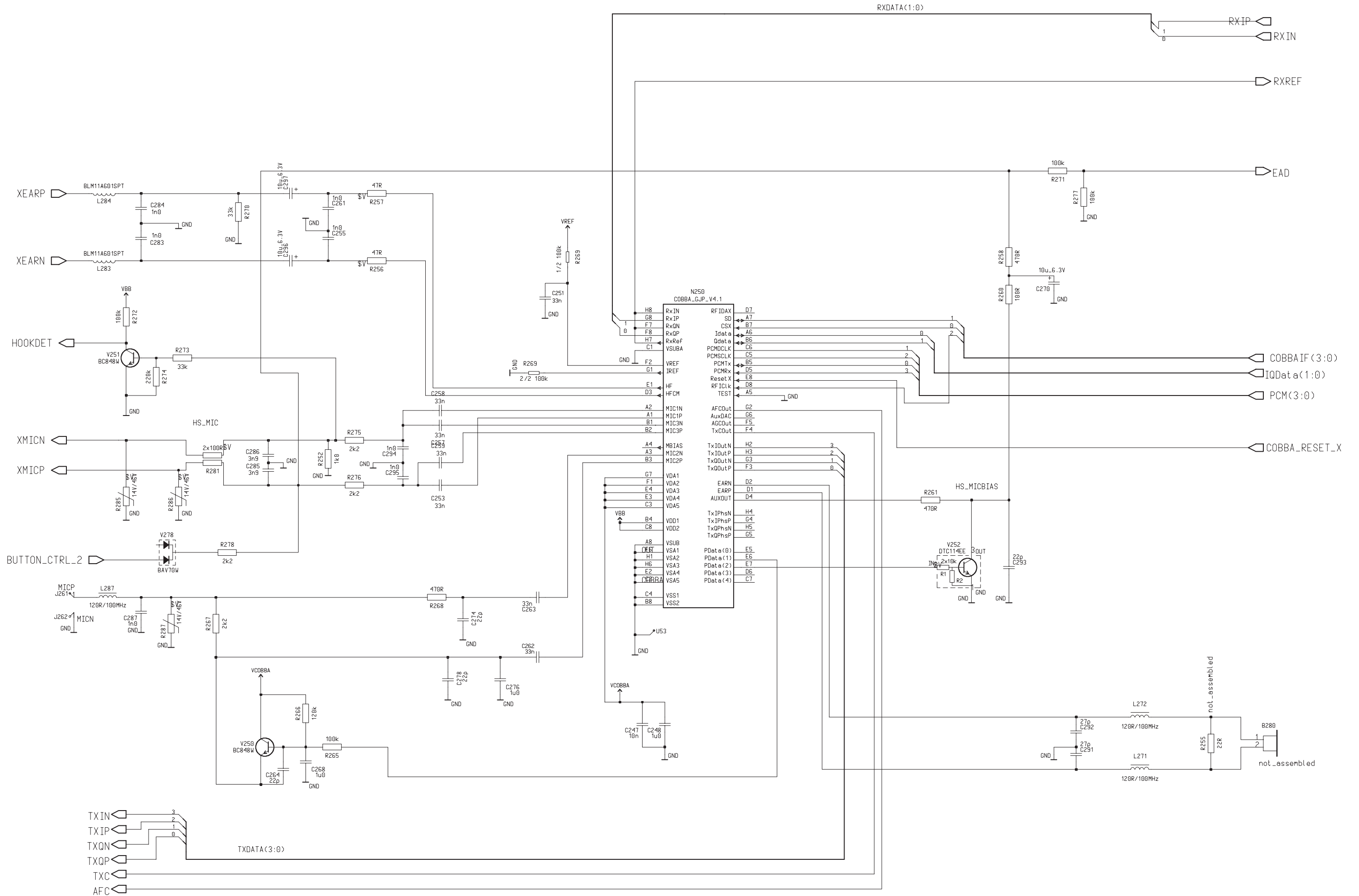
Circuit Diagram of Power Supply (Version 1510 Edit 7) for layout version 03



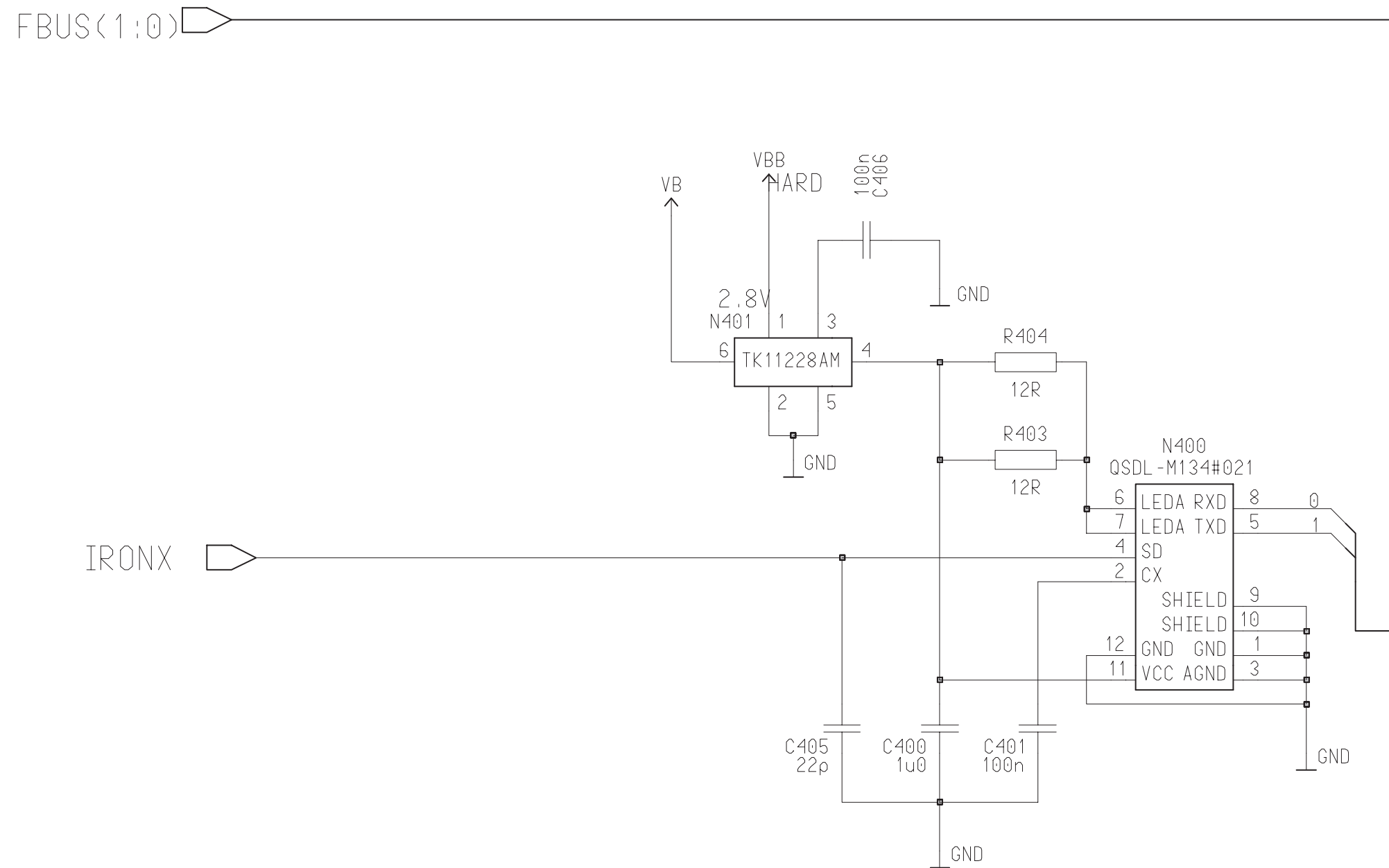
Circuit Diagram of CPU Block (Version 1410 Edit 4) for layout version 03



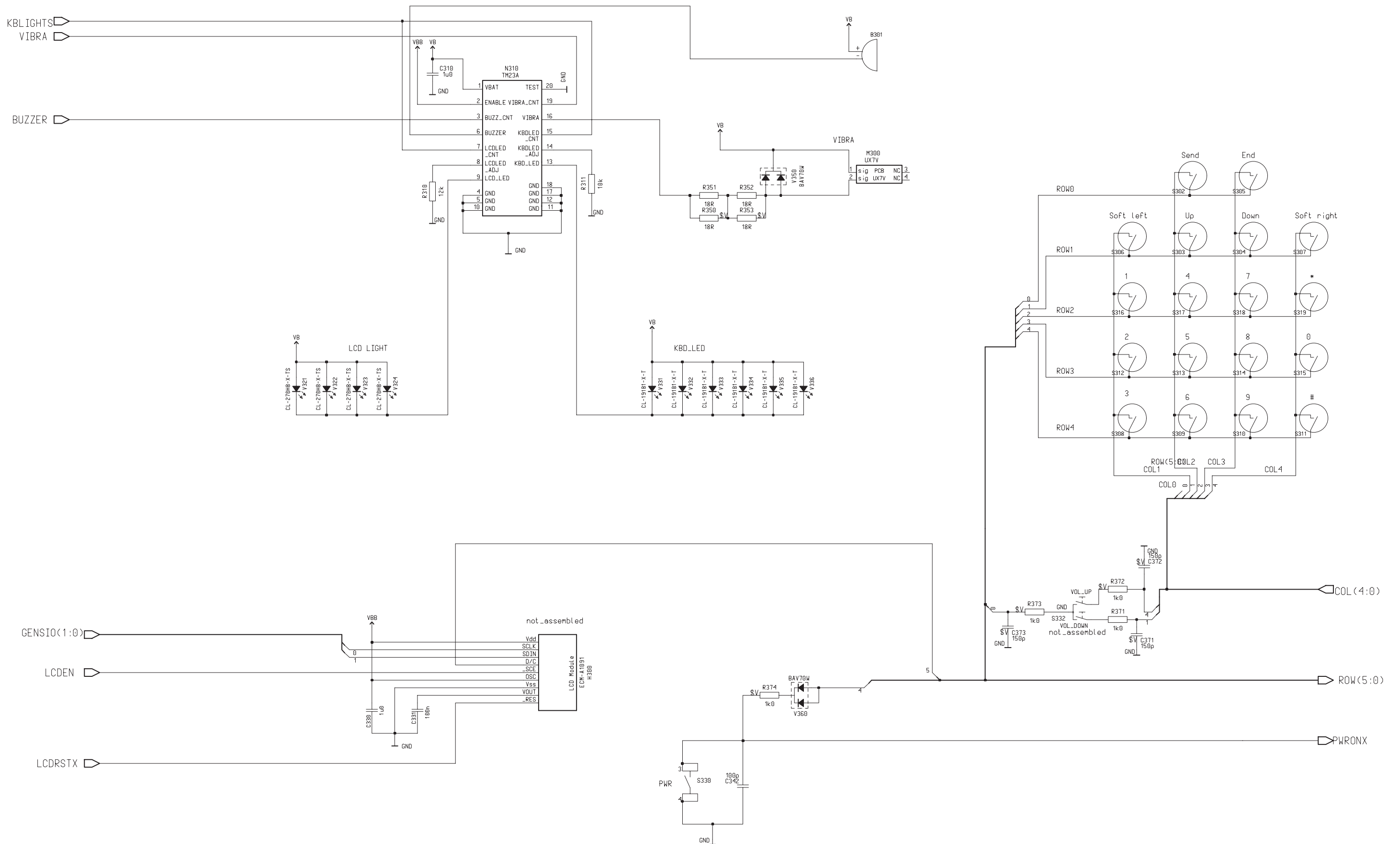
Circuit Diagram of Audio and RFI (Version 1410 Edit 3) for layout version 03



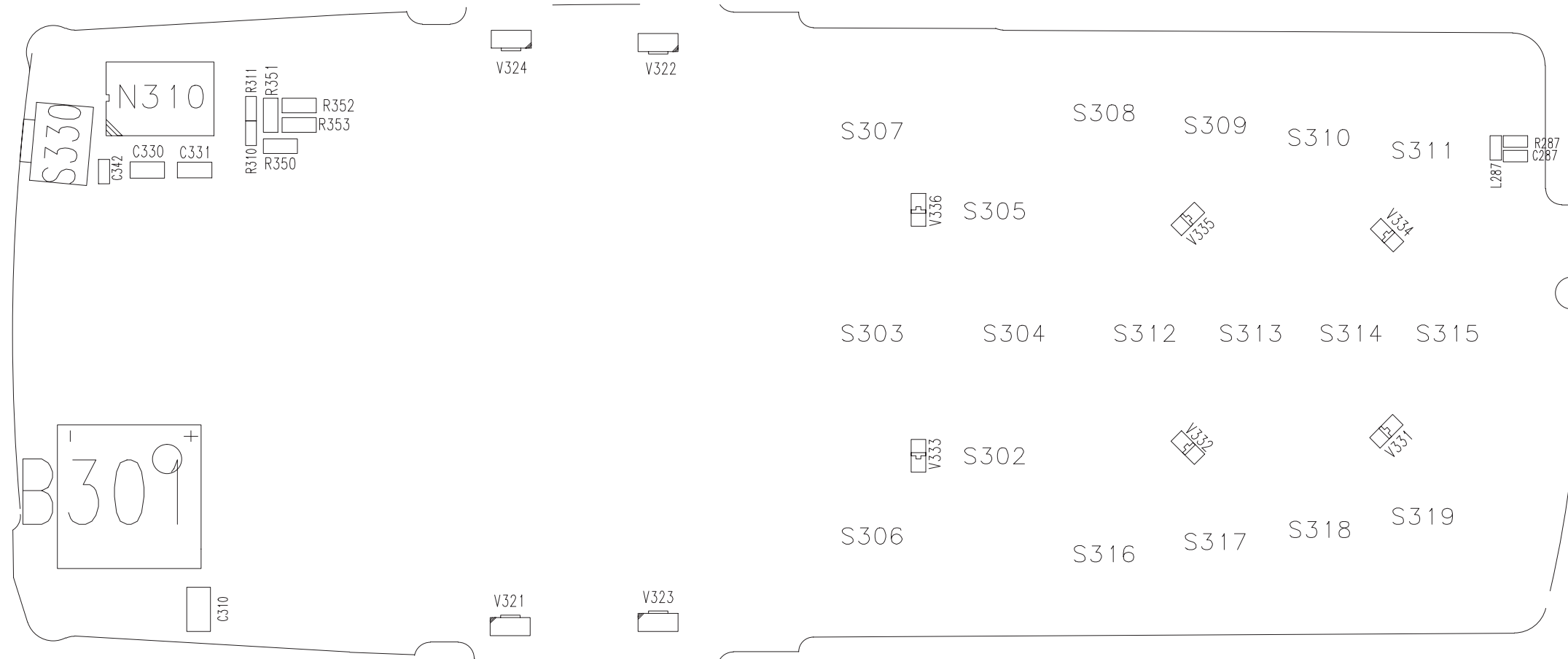
Circuit Diagram of IR Module (Version 1410 Edit 2) for layout version 03



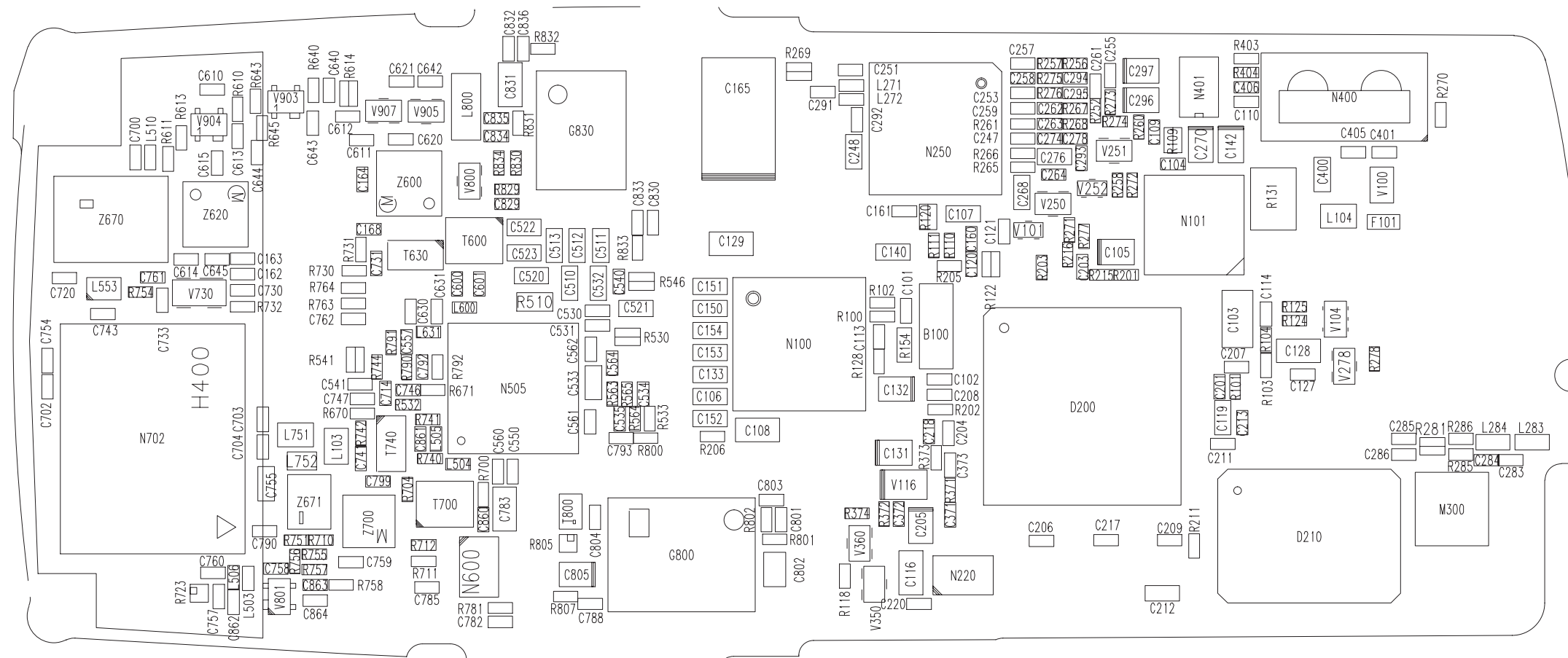
Circuit Diagram of UI (Version 1410 Edit 4) for layout version 03



Layout Diagram of RM7LD – Top (Version 03)



Layout Diagram of RM7LD – Bottom (Version 03)



Testpoints of RM7LD – Top (Version 0x)

Testpoints of RM7LD – Bottom (Version 03)

